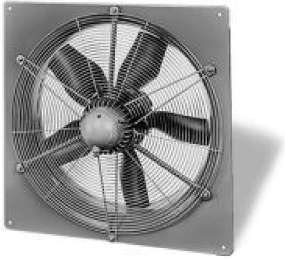




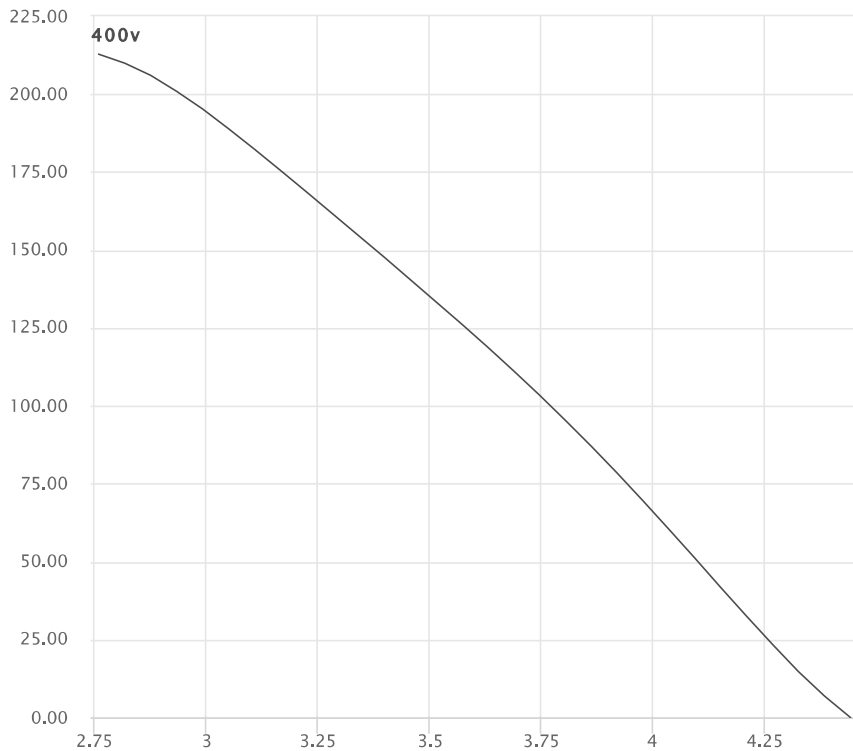
Project Name: ATEX FAN
 Client: JUST FANS
 Engineer: LUKE
 Quote Number:
 Date: 30/05/2023
 Item Reference:
 Item Quantity: 1

HQD 630/4 EX Square Plate Axial Fan , Explosion Proof , with Motor Side Guard



Square plate mounted axial fan with highly efficient impeller, dynamically balanced to DIN ISO 1940 and VDI 2060 class 6.3, manufactured from impact resistant anti static polymers. Suitable for -30°C to +40°C. Fitted with motorside guard. Explosion Proof II 2G C IIB T3 Gb according to ATEX. Totally enclosed, three phase motor. Maintenance free with low-noise sealed for life ball bearings.

Performance Chart



Product

Ref.No.	5036
Model Code	HQD 630/4 EX
Fan Size	630 mm
Maximum airflow temp.	40 °C
Weight	34.5 kg

Performance

Fan Nominal Speed	1400 rpm
-------------------	----------

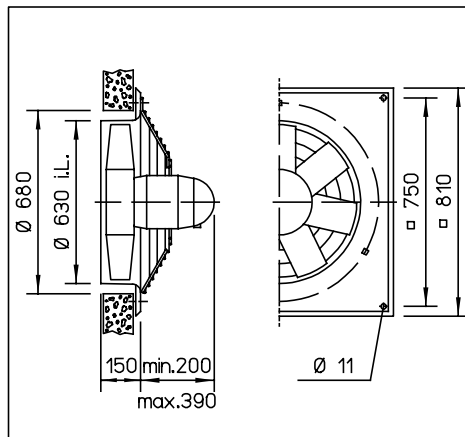
Motor

Rating	1.50 kW
Poles	4
Electrical Supply	400v/3Ph/50Hz
Full Load Current	3.4 A
Starting Current	20.4 A

Sound

Sound Pressure Level	64 dB(A) at 3m								
Spectrum	Hz	Total	125	250	500	1k	2k	4k	8k
LwA Intake	dB(A)	85	69	71	77	81	81	77	70

Dimension and Drawing



*This drawing shows dimensions that should be used as a guide only and are subject to change. Certified drawings are available on request.